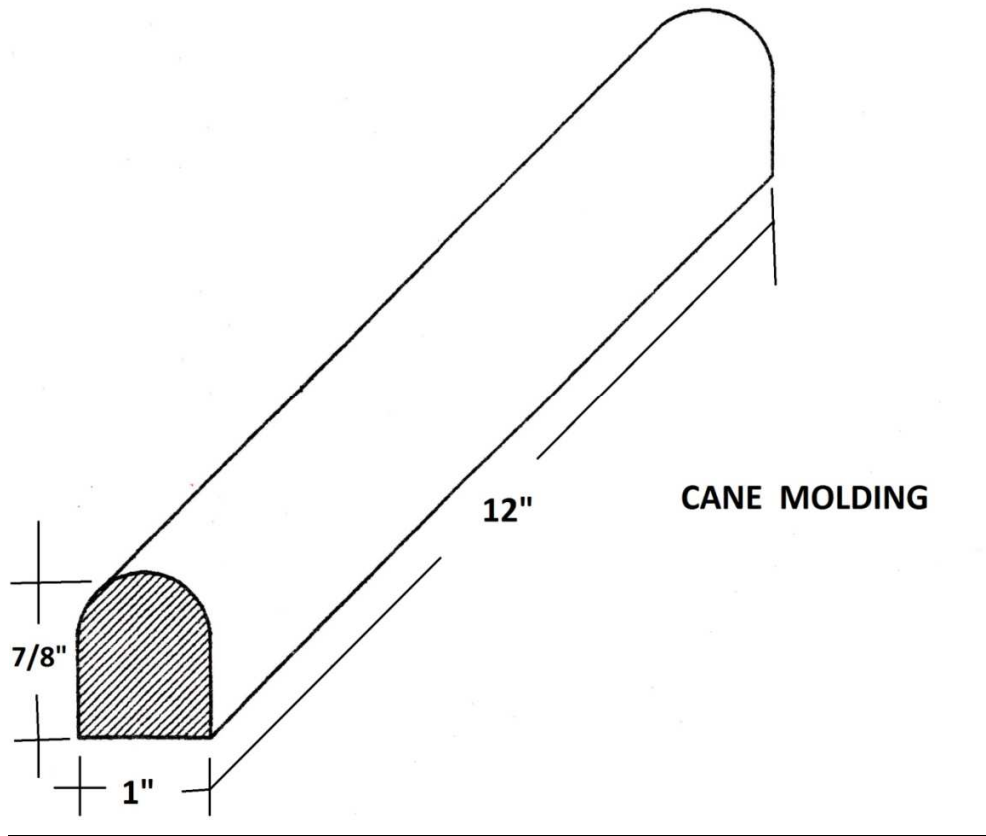


DESCRIPTION OF THE PRODUCT: CANE MOLDING

Recommended Usage: Residential & Commercial
(Wall/Backsplash/Accent/Bath Wall/Fireplace Facade)



Semi-Vitreous material has water absorption of more than 3% but less than 7% for indoor use.

Product Type: Architectural Moldings

Product Name: Cane Molding

Color Name: Fiorito Travertine, Mocka Travertine & Golden Travertine

Finish: Honed

Country: Mexico

Length: 12"

Height: 7/8"

Wide: 1"

Coverage Per Piece: 0.0833 sqft. (0.00774 M2.)

Unit of Measure: Each

Weight per Piece: 1 Lb. (0.454 Kgs.)

Case Quantity: 20 pcs.

Weight per Case: 20 Lbs. (9.08 Kgs.)