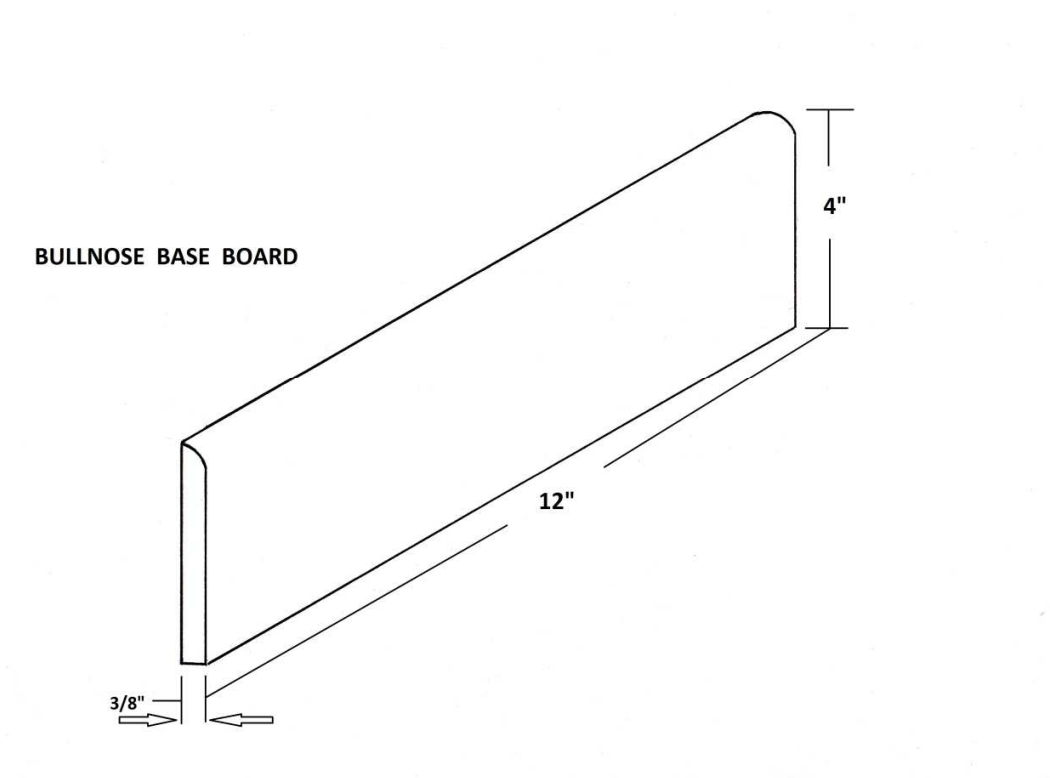


DESCRIPTION OF THE PRODUCT: BULLNOSE BASE BOARD

Recommended Usage: Residential & Commercial
(Wall/Backsplash/Accent/Bath Wall/Fireplace Facade)



Semi-Vitreous flooring has water absorption of more than 3% but less than 7% for indoor use.

Product Type: Architectural Moldings

Product Name: Bullnose Base Board

Color Name: Fiorito Travertine, Mocka Travertine & Golden Travertine

Finish: Honed

Country: Mexico

Length: 12"

Height: 4"

Wide (Thickness): 3/8"

Coverage per Piece: 0.333 sqft. (0.03096 M2.)

Unit of Measure: Each

Weight per Piece: 1.685 Lbs. (0.765 Kgs.)

Case Quantity: 10 pcs.

Weight per Case: 16.85 Lbs. (7.65 Kgs.)